

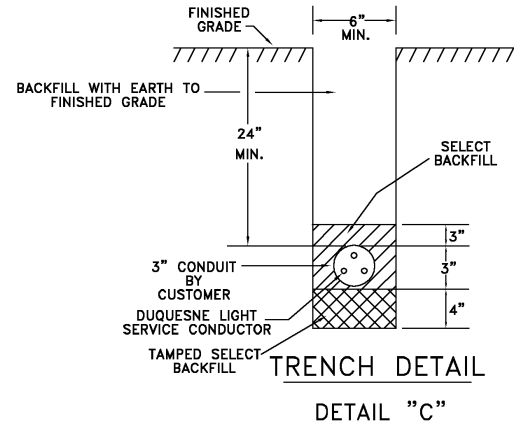
CUSTOMER'S WORK

1. CONTACT THE COMPANY FOR METER LOCATION.
2. CONTACT THE PENNSYLVANIA ONE-CALL SYSTEM AT 1-800-242-1776.
3. FURNISH, INSTALL AND MAINTAIN A DLCO APPROVED METER BASE. SEE SECTION 8.2.
4. FURNISH, INSTALL AND MAINTAIN CONDUIT FROM THE METER BASE TO THE COMPANY'S SERVICE ENCLOSURE OR TRANSFORMER AT THE STREET.
 - AT THE METER BASE, INSTALL A RISER CONDUIT AND SECURE TO THE STRUCTURE. INSTALL A 3" DIAMETER, 24" RADIUS BEND. DRILL FOUR 1/2" DIAMETER HOLES AT LOW POINT OF BEND AND INSTALL AN 18"x18"x18" FRENCH DRAIN. RISER CONDUIT AND 24" RADIUS BEND SHALL BE 3 INCH NOMINAL PVC, SCHEDULE 80 PER NEMA TC2 (EPC-80-PVC FOR TYPE IV APPLICATIONS). GRAY IN COLOR ONLY. (ALL CONDUIT WITH LESS THAN 18" OF COVER MUST BE SCHEDULE 80).
 - EXTEND 3" DIAMETER CONDUIT FROM THE METER BASE TO THE COMPANY'S SERVICE ENCLOSURE OR TRANSFORMER AT THE STREET. SERVICE LATERAL CONDUIT AND BEND MUST BE 3 INCH NOMINAL PVC, SCHEDULE 40 PER NEMA TC2 (EPC-40-PVC FOR TYPE II APPLICATIONS). GRAY IN COLOR ONLY. TAKE PROPER CARE TO PREVENT DEBRIS FROM ENTERING CONDUIT.
 - INSTALL A 24" RADIUS BEND WITHIN 18" OF DUQUESNE LIGHT COMPANY'S TRANSFORMER OR SECONDARY ENCLOSURE EXTENDING A MIN. OF 3" TO A MAX. OF 6" ABOVE FINISHED GRADE AND CAP. SEE DETAIL (2.) ABOVE.
 - INSTALL A 1/4" NYLON OR POLYPROPYLENE PULLING LINE WITHIN THE CONDUIT. BE SURE LINE MOVES FREELY AFTER SOLVENT CEMENT HAS CURED.
 - TRENCH MUST BE DEEP ENOUGH TO PROVIDE 4" OF TAMPED SELECT BACKFILL BELOW THE CONDUIT AND 3" OF TAMPED SELECT BACKFILL OVER THE CONDUIT. THE MINIMUM TOTAL COVER OVER THE CONDUIT IS TO BE 24". SEE DETAIL "C"
 - SELECT BACKFILL SHALL CONSIST OF SAND, CRUSHED STONE (SUCH AS LIMESTONE FRAGMENTS/DUST) OR OTHER MATERIAL APPROVED BY THE COMPANY. REMAINING BACKFILL SHALL BE FREE OF MATERIALS THAT MAY DAMAGE THE CONDUIT, AND MUST NOT CONTAIN SOLID MATERIAL (ROCKS, STONES, ETC.) LARGER THAN 2" OR WITH SHARP EDGES.
 - SERVICE LATERAL CONDUIT TO EXTEND DIRECTLY IN A STRAIGHT LINE FROM THE METER BASE TO THE COMPANY'S SERVICE ENCLOSURE OR TRANSFORMER AT THE STREET WITHOUT ANY BENDS OR SWEEPS. IF ADDITIONAL BENDS OR SWEEPS ARE ANTICIPATED OR IF THE LENGTH OF THE SERVICE EXCEEDS 100', THE CUSTOMER MUST SUBMIT A DRAWING OF THE PROPOSED CONDUIT PATH TO THE COMPANY FOR APPROVAL BEFORE INSTALLING THE CONDUIT.
 - A 2 1/2 NOMINAL RISER CONDUIT MAY BE USED IF THE METER BASE HAS NO 3-INCH KNOCKOUT. THE RISER MUST BE PVC, SCHEDULE 80 PER NEMA TC2 (EPC-80-PVC FOR TYPE IV APPLICATIONS) AND INSTALLED AND SECURED AS ABOVE. CONNECT THE RISER TO THE SCHEDULE 80 BEND WITH A REDUCER FITTING MEETING NEMA TC3.
5. FOR SERVICE LATERALS EXCEEDING 100 FT. THE CUSTOMER SHOULD CONTACT PAT COTE AT 412-393-8614 TO PURCHASE AN AUXILIARY SERVICE ENCLOSURE MEETING DUQUESNE LIGHT CO. STK. #240339 SPECIFICATIONS. THIS PURCHASE SHOULD BE MADE BY CREDIT CARD ONLY.

COMPANY WORK

1. FURNISH, INSTALL, CONNECT AND MAINTAIN THE SERVICE LATERAL CABLE UP TO A MAXIMUM OF 100 FT.

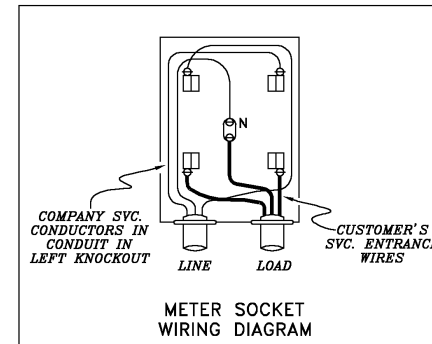
DETAIL "D"



NOTE

- 1.) IF TRENCHING WITHIN STATE RIGHT-OF-WAY, CONDUITS ARE TO BE A MINIMUM OF 36" TOTAL COVERAGE.
- 2.) IF TRENCHING WITHIN CITY OF PITTSBURGH AND A PERMIT IS REQUIRED, MINIMUM COVERAGE IS 30".

(FOR MULTI OR PRE-WIRED METERS (MORE THAN 6) LINE FEED IS TO BE ATTACHED BEFORE MAIN SWITCH & SEALABLE WIRING TROUGH.)



— LIGHT LINES—D.L.CO. WORK
 — HEAVY LINES—CUSTOMER'S WORK

SCALE—N.T.S.